

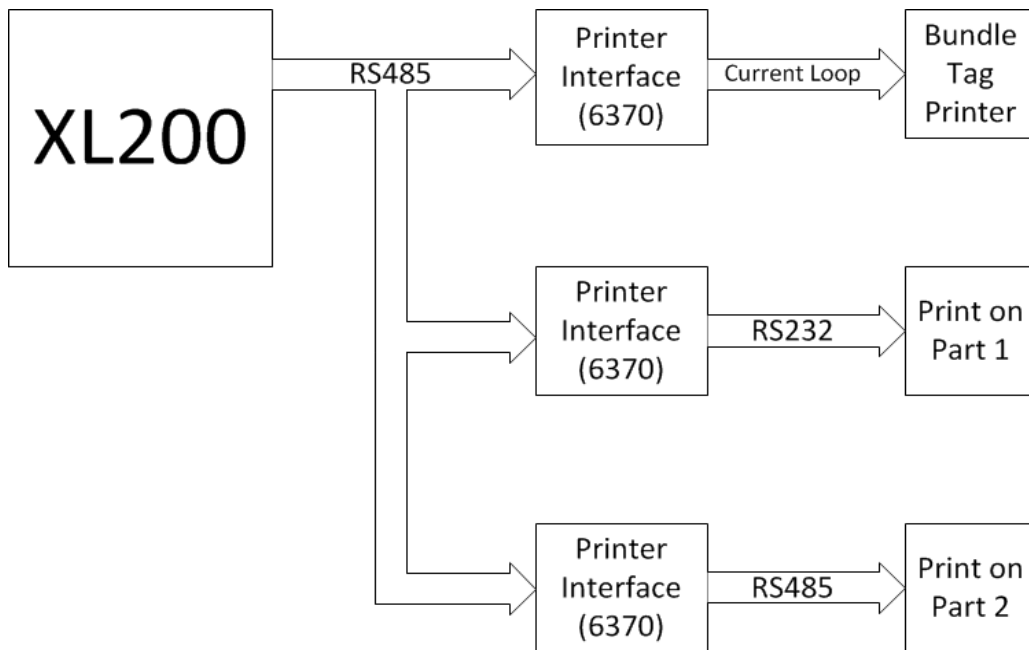
The Printer Interface (6370) is a communication gateway that allows XL200 Series controllers to interface with a wide range of printers.

The Printer Interface translates a signal from the XL200 controller and transmits it to a compatible printer.

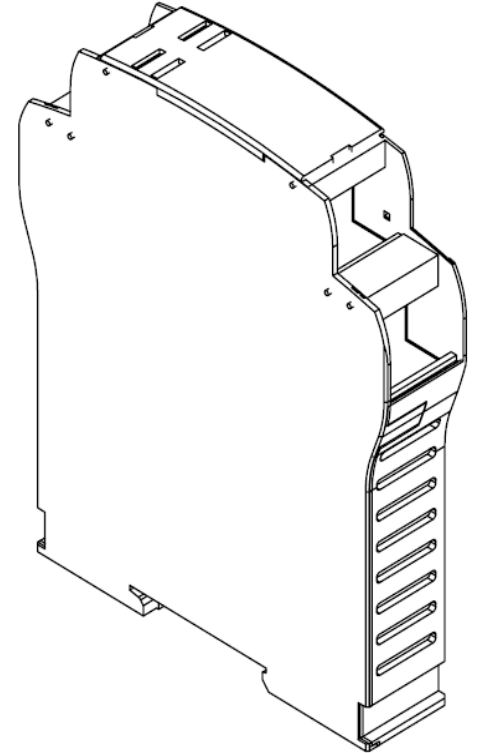
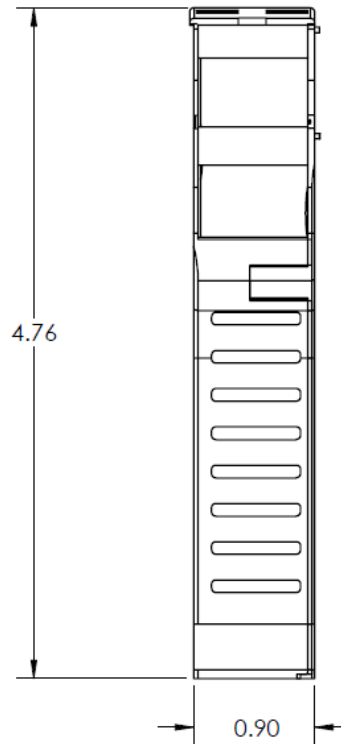
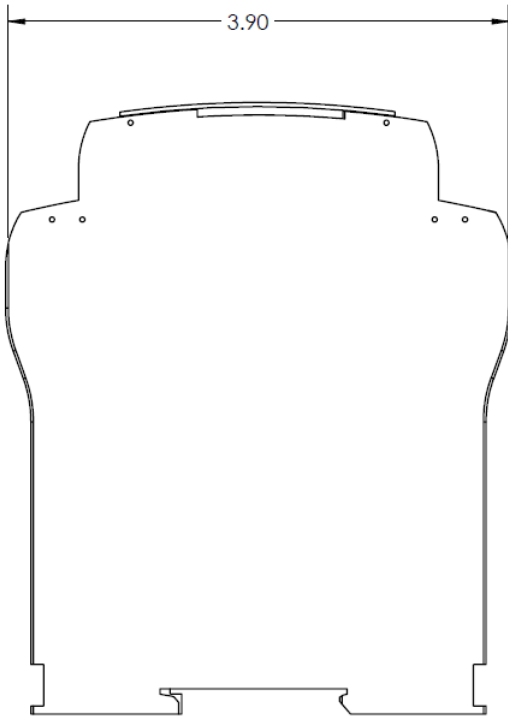
The updated 6370 Printer Interface model replaces the 4370 Printer Interface model. This product is only compatible with AMS Controls' XL200 Series controllers.



ELECTRICAL BLOCK DIAGRAM



DIMENSIONS



SPECIFICATIONS

Communication

Options:

- Bundle Print (Part 61)
- Print on Part (Part 71)

Communication Types:

- RS232
- RS485
- Current Loop

Baud Rates:

- 300, 1200, 9600, 19200, 28800, 38400, 57600

Data Bits:

- 5, 6, 7, 8

Stop Bits:

- 1, 1.5, 2

Power

Voltage = 24VDC

Current = 250mA